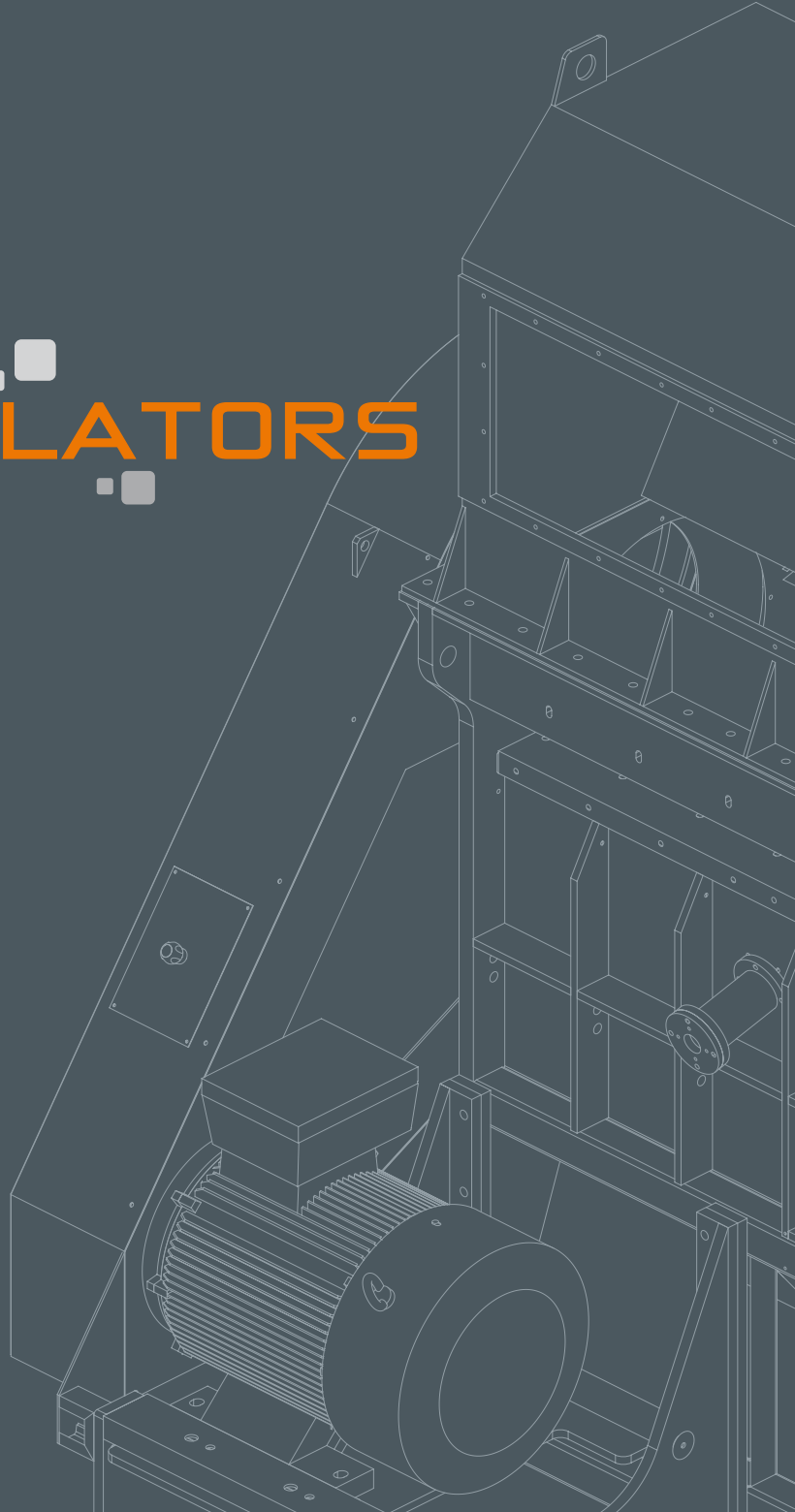




MG, MP, MR Granulators

GRANULATORS



MG, MP, MR granulators

For wood, plastic, rubber, twigs, pallets...

The Molinari mill/grinder is an innovative machine in the grinding sector. Our grinder allows to obtain higher output than the conventional mills (such as hammer mills, blade mills) or to save up the energy consumption to 30-50% while maintaining the same production.

It is a high performance machine, especially with products hard to be treated (such as wood of medium and large size, polyethylene pipes, PVC) that can be ground with screens having 12,8,6,4,3 mm holes (for instance to obtain sawdust from wood).

All the parts of Molinari machines can be cooled: machine body, bearings support, fixed blades and rotor shaft. Therefore, also materials such as rubber can be processed without difficulties.

A presser can be installed in the back part of the loading hopper thus making it possible to grind drums and tanks without having to shear or pre-shred them. The motion of the presser is controlled by photocells installed on the loading hopper.

Patented Rotor: its strengths

Low energy consumption

The rotor blades sectors acts with gradual impact on the counter blades. Compared to traditional single blade mills, in some processing you can save up to 50% of energy while maintaining the same production.

Bulky products without pre-shredding

The hallow rotor allows you to directly grind some bulky objects such as 1 cubic meter thanks, 200 l drums, bumpers, PVC pipes up to 800mm diameter. This means not having to resort to a shredder.





*up to 50%
of energy saving*

MP2200.V2

High productivity of SRF but not only

The model MP2200.V2, the bigger of the series MP, was adopted to cover the needs of productive plants with big dimensions.

The blades have got four cutting edges instead of one, optimizing significantly the costs of the operational management.

Their design has been studied for long working cycles with short periods of maintenance, in fact they can be used four times before the sharpening or the substitution.

Materials Treated

For the grinding of bottles and drums, TDF, bumpers, dashboards, pallets. The input material can be small (scraps of scraps, bottles, drums, rags, tdf wood, etc...) or large (200 liters drums, bumpers, dashboards, fruit boxes, crates, branches, pallets, etc.).



before



after

TYRES



before



after

PLASTIC



before



after

WOOD

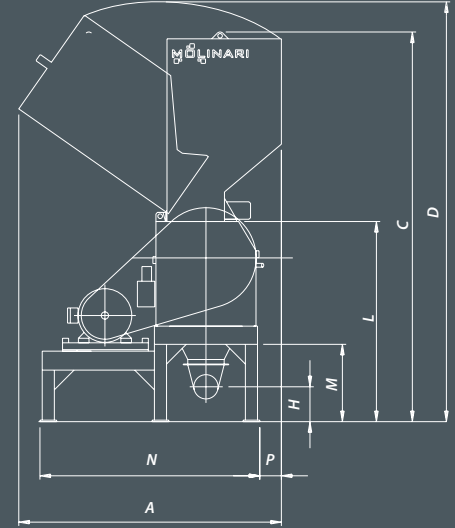
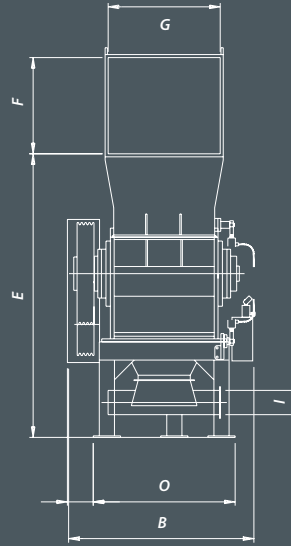


Technical Characteristics

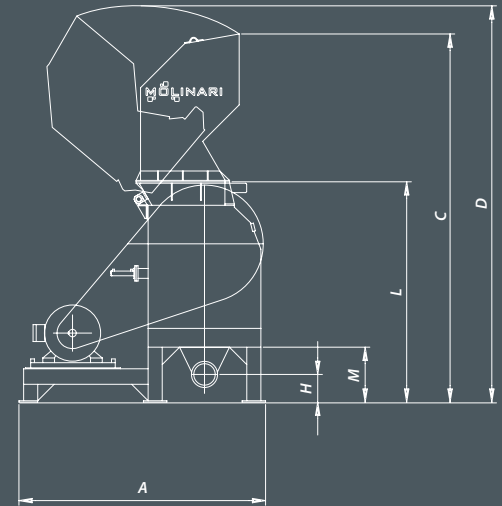
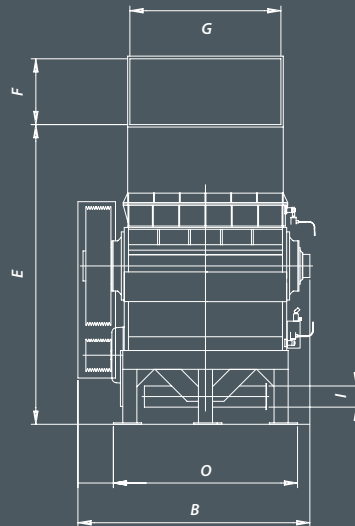
- A very thick electro-welded rotor-casing
- Highly alloyed steel which can be dismantled and sharpened
- Rotor with a constant profile on the diameter
- Radially adjustable fixed blades unit
- Opening of the screen-holder by hydraulic cylinder
- Easy screen replacement
- Inspection doors on the hopper for inside inspection of the machine
- Belt transmission
- Electrical panel outside the machine
- Optional: arrangement for the water cooling of the shaft, bearing supports, blades and back conveyor.

The MP models have 50% of cutting surface more than the MG models. This allows to significantly increase the production, given the same energy consumption and less wear.

MG1000 / MR1000



MP1200 / MP1600 / MP2000 / MP2200



	A	B	C	D	E	F	G	H	I	L	M	N	O	P	Blade(nr)	Weight(t)	Rotor (mm)	Motor
MG1000	1785	1565	2570	2770	1850	655	1060	230	Ø160	1320	510	1450	1280	170	60	5,3	ø500/1000	55kW
MR1000	1910	1925	3100	3295	2610	460	1060	145	Ø165	1830	410	1740	1420	255	45	2,5	ø360/1000	30/37/45kW
MP1200	2330	2210	3550	3770	2795	725	1200	200	Ø215	1975	425	2100	1480	350	66	6	ø600/1200	75/90 kW
MP1600	2625	2470	3920	4220	3190	700	1610	295	Ø225	2345	585		1960	380	90	8,5	ø650/1600	110/132 kW
MP2000	2625	2885	3920	4220	3190	700	2030	145	Ø175	2345	585		2385	365	114	9,6	ø650/2000	132/160 kW
MP2200	2945	3170	5030	5400	3700	1280	2145	195	Ø275	2695	670		2550	435	66	16	ø850/2200	200/250 kW

Contacts

■ Molinari S.r.l.
 via dell'Industria, 4
 24010 Lenna (Bergamo)
 ITALY

tel. +39.0345.31.78.01
 fax +39 0345.31.78.27
 info@molinari-recycling.com
 www.molinari-recycling.com



LENNA (BG)

